



*MPT*

[www.modernpackagingtools.com](http://www.modernpackagingtools.com)



# MODERN PACKAGING TOOLS & CO

Bankra Dotalla Jhilpar, Domjur,  
Howrah - 711 403, W.B



SALES & MARKETING  
+91 9147 132 402

SERVICE  
+91 9147 132 403

OFFICE  
+91 9147 132 404

✉ [modern.pkg@gmail.com](mailto:modern.pkg@gmail.com)

✉ [info@modernpackagingtools.com](mailto:info@modernpackagingtools.com) copy



### PMT - 1632

Unlimited Strap take up  
Pusher Type Manual Tensioner



### WMT

Heavy Duty  
Windlass Type



### MT - 32H

Unlimited Strap take up  
Pusher Type Manual Tensioner



### LMT - 1932

140 mm Length strap, Heavy Duty  
Rack & Pinion Type

## MANUAL TENSIONER TOOLS

MODEL NO	DESCRIPTION	STRAP SIZE			SEALS TYPE	STRAP FINISH	WEIGHT KG
		WIDTH		THICKNESS			
		Inch	mm	mm			
PMT - 1632	Pusher Type Manual Tensioner	5/8 - 1-1/4	16- 32	0.64-0.89	Magnus	Painted & Waxed	3.2 kg
WMT	Windlass Type	1-1/4	25-32	0.89-1.27	Magnus	Painted & Waxed	5.3 kg
MT- 32H	Pusher Type Manual Tensioner	3/4 - 1-1/4	19.0- 1.8	0.64-0.89	Magnus	Painted & Waxed	4 kg
LMT - 1932	Rack & Pinion Type	3/4 - 1-1/4	32.0	0.64-0.89	Magnus	Painted & Waxed	2.7 kg



### DNS-19

Double Notch  
Side Action



### DNS-25

Double Notch  
Side action



### DNS-32

Double Notch  
Side action



### DCS-25

Single Notch  
Side Action



### DSC - 32

Single Notch  
Side Action



### SNS - 32

Single Notch  
Side action

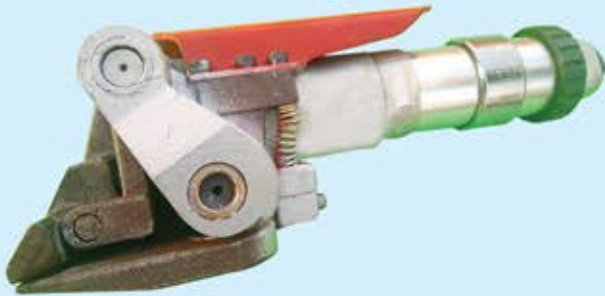
## MANUAL SEALER TOOLS

MODEL NO	DESCRIPTION	JOIN THPE	STRAP SIZE			JOINT EFFICIENCY	WEIGHT KG
			WIDTH		THICKNESS		
			Inch	mm	mm		
DNS-19	Side action	Double Notch	3/4	19.0	0.64-0.89	75 up 80%	3 kg
DNS-25	Side action	Double Notch	1	25.4	0.64-0.89	75 up 80%	3.2 kg
DNS-32	Side action	Double Notch	1-1/4	32	0.64-0.89	75 up 80%	3.2 kg
DCS-25	Side action	Down Cut Notch	3/4	19.0	0.64-0.89	75 up 80%	2.9 kg
DCS-32	Side action	Down Cut Notch	1-1/4	32	0.64-0.89	75 up 80%	3.2 kg
SNS-32	Side action	Single Notch	1-1/4	32	1.27	75 up 80%	3.0 kg



## PT - 1443 / 1.27

Extra Heavy Duty Pusher type  
Unlimited Strap take-up



## PT - 1443N

Multi Purpose Pusher type  
Unlimited Strap take-up



## PT - 1443H

Heavy Duty Pusher type  
Unlimited Strap take-up

### PNEUMATIC TENSIONER TOOLS

MODEL NO	DESCRIPTION	STRAP SIZE			SEALS TYPE	AIR PRESSURES	ACHIEVABLE TENSION	TENSIONING SPEED	WEIGHT KG
		WIDTH		THICKNESS					
		Inch	mm	mm					
PT - 1443/1.27	Pusher Type Heavy Duty Unlimited Strap take-up	1-1/4	32	0.89-1.27	Magnus	75 P.S.I Up to 90 P.S.I	28000-30000 N	90 mm/s	4.5 kg
PT - 1443N	Pusher Type Unlimited Strap take-up	3/4-1-1/4	19- 32	0.64-0.89	Magnus	60 P.S.I Up to 85 P.S.I	7000 - 8000 N	128 mm/s	4.5 kg
PT - 1443H	Pusher Type Unlimited Strap take-up	1-1/4	32	0.64-0.89	Magnus	65 P.S.I Up to 85 P.S.I	10000-12000 N	105 mm/s	4.5 kg

# P.S. - 1443/19

Single Notch  
Pneumatic Sealer



# P.S. - 1443/25

Single Notch  
Pneumatic Sealer



# P.S. - 1443/32

Single Notch  
Pneumatic Sealer

## PNEUMATIC SEALER TOOL

MODEL NO	DESCRIPTION	JOINT TYPE	STRAP SIZE			SEALS TYPE	AIR PRESSURES	JOINT EFFICIENCY	WEIGHT KG
			WIDTH		THICKNESS				
			Inch	mm	mm				
P.S. - 1443/19	Normal Cut	Single Notch	3/4	19.0	0.64-0.89	Magnus	60 P.S.I Up to 80 P.S.I	75 up to 78%	3.5kg
P.S. - 1443/25	Normal Cut	Single Notch	1"	25.4	0.64-0.89	Magnus	60 P.S.I Up to 85 P.S.I	75 up to 78%	3.5kg
P.S. - 1443/32	Normal Cut	Single Notch	1-1/4	32.0	0.64-0.89	Magnus	60 P.S.I Up to 85 P.S.I	75 up to 78%	3.5kg



### P.S. - 1443/32H

Single Notch  
Heavy Duty Pneumatic Sealer



### P.S. - 1443/19D

Double Notch  
Pneumatic Sealer



### P.S. - 1443/25D

Double Notch  
Pneumatic Sealer



### P.S. - 1443/32D

Double Notch  
Pneumatic Sealer

## PNEUMATIC SEALER TOOLS

MODEL NO	DESCRIPTION	STRAP SIZE			SEALS TYPE	AIR PRESSURES	JOINT EFFICIENCY	WEIGHT KG
		WIDTH		THICKNESS				
		Inch	mm	mm				
P.S. - 1443/32H	Upper Cut, Single Notch	1-1/4	32.0	1-1.27	Magnus	75 P.S.I Up to 90 P.S.I	75 up to 78%	4.5 kg
P.S. - 1443/19D	Upper Cut, Double Notch	3/4	19.0	0.64-0.89	Magnus	60 P.S.I Up to 85 P.S.I	75 up to 78%	4.5 kg
P.S. - 1443/25D	Upper Cut, Double Notch	1"	25.4	0.64-0.89	Magnus	75 P.S.I Up to 85 P.S.I	75 up to 78%	4.5 kg
P.S. - 1443/32D	Upper Cut, Double Notch	1-1/4	32.0	0.64-0.89	Magnus	75 P.S.I Up to 85 P.S.I	75 up to 78%	4.5 kg

## P.C.S-19

Pusher Type Combination Tightening  
Sealing Cutting



## P.C.S- 32

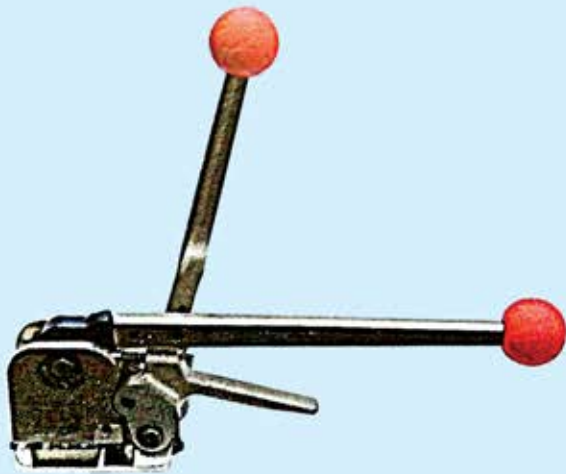
Pusher Type Combination Tightening  
Sealing Cutting

### PNEUMATIC COMBINATION TOOLS

MODEL NO	DESCRIPTION	STRAP SIZE			SEALS TYPE	AIR PRESS-URES	ACHIE-VABLE TENSION	TENSIO-NING SPEED	WEIGHT KG
		WIDTH		THICKNESS					
		Inch	mm	mm					
P.C.S-19	Pusher Type Combination Tightening Sealing Cutting	3/4	19.0	0.64-0.89	Magnus	70 P.S.I Up to 85 P.S.I	7000-8000N	128 mm/s	13.6 kg
P.C.S- 32	Pusher Type Combination Tightening Sealing Cutting	1 -1/4	32.0	0.64-0.89	Magnus	70 P.S.I Up to 85 P.S.I	7000-8000N	128 mm/s	13.6 kg

## MCS-1619

Manual Combination Sealless Tools.



## MCS-1619H

Heavy Duty Manual Combination, Sealless Tools

### MANUAL SEALLESS COMBINATION TOOLS

MODEL NO	DESCRIPTION	JOINT TYPE	STRAP SIZE		STRAP TYPE	BASE LENGTH UNDER STRAP	WEIGHT	JOINT EFFICIENCY
			WIDTH	THICKNESS				
			mm	mm		mm		
MCS-1619	Tightening Sealing & Cutting	Sealless	16 -19	0.38 up to 0.58	Apex, Magnus	112	4.2kg	78-80%
MCS-1619H	Tightening Sealing & Cutting	Sealless	16 -19	0.64-0.079	Apex, Magnus	110	4.2kg	78-80%





## SC - 32

Strap Quality : Regular, High Tensile  
Strap Width: 19-50mm  
Max Strap Thickness: 0.79-1 mm  
Weight: 0.700 kg



## SC - 32 R

Light Weight, One hand operated cutter  
Strap Width: 12-32 mm  
Strap Thickness : 0.38 - 1mm  
Weight : 0.700



## LSC - 40

Strap Size  
Width: 10 - 40mm  
Thickness: 0.64 - 1.27mm  
Weight: 3.250kg



## LSC-50

Strap Quality : Regular, high tensile  
Strap Width : 19-50mm  
Max Strap Thickness: 0.79- 1.27mm  
Weight : 3.000 kg

## UD-1632

Strap Dispensers

Strap Size : 16 - 32mm

Coil : Easily Loaded with mill wound Coils.

OD - 700 mm

Coil Weight : 50Kg Aprox



## V.D-1932

Strap Size: 19 - 32mm

Coils Weight - 45kg aprox

## PPMT - 1619

Manual Pet Strapping Tool



## PPST - 1619

Pneumatic Pet Strapping Tool

## SEALS

Size : 19, 25, 32





*MPT*

[www.modernpackagingtools.com](http://www.modernpackagingtools.com)

**SALES & MARKETING**

**+91 9147 132 402**

**SERVICE**

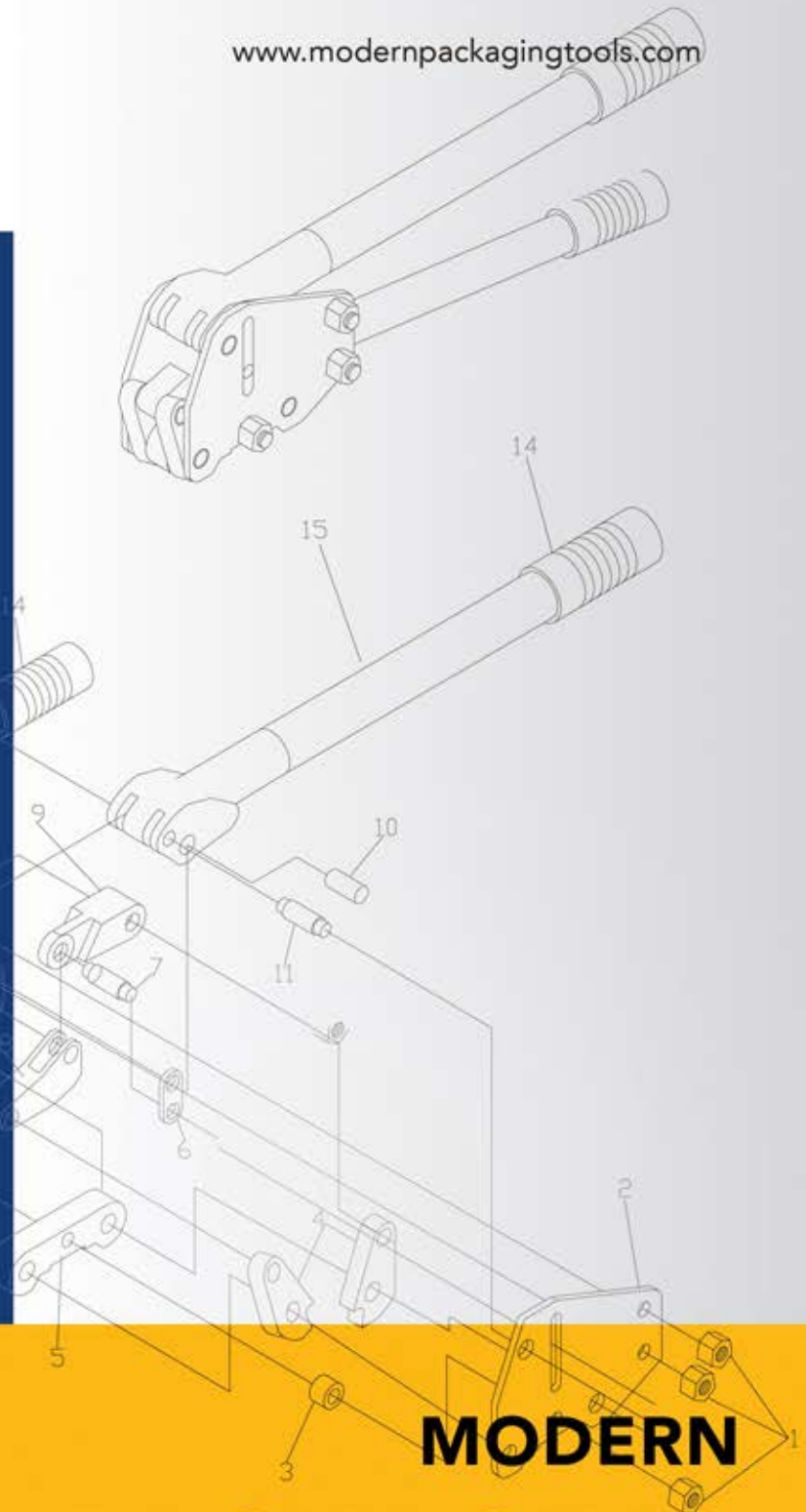
**+91 9147 132 403**

**OFFICE**

**+91 9147 132 404**

✉ [modern.pkg@gmail.com](mailto:modern.pkg@gmail.com)

✉ [info@modernpackagingtools.com](mailto:info@modernpackagingtools.com)



📍 Bankra Dotalla Jhilpar, Domjur,  
Howrah - 711 403, W.B

**MODERN  
PACKAGING  
TOOLS & CO**